

SL-02

MULTISTANDARD
UHF HANHDELD TRANSCEIVER
(PMR446 / LPD433 BANDS)



OWNER'S MANUAL

MANUALE DI
ISTRUZIONI

INTEK[®]

Index.....	1
Introduction	2-3
Contents of Package	3
Controls and Indicators	3-5
Battery Installation.....	6
Battery Operation / Battery Charging	7
Operation.....	7-13
Specifications.....	13
Optional Accessories	13
Important Informations.....	14
Declaration of Conformity.....	15
User Information	15
Notes	16

IMPORTANT !

It is recommended to carefully read this instruction manual throughout, before using the radios. This also in order to prevent you from using the radios out of the limits stated by the regulations.

IMPORTANT !

The maximum operating range will vary depending on terrain and environment. Range will be usually greater in open fields. While range is usually shorter within and around buildings or large structures. This unit may not ensure privacy of communication.



Congratulations !

Congratulations on your selection and purchase of this high quality product. With proper care and adherence to the set-up and user instructions in this Owner's Manual, this unit will let you enjoy years of trouble-free service.

We are committed to providing quality products that fit your needs, however we would like to receive any comments or suggestions that you might have on this product, which will help us in continuous improvement of the quality.

Applications

The SL-02 is a lightweight, pocket size, compact and very slim design two-way communication device, operating on the PMR 446 MHz and on the LPD 433 MHz European bands. **Radio must be operated on the band (PMR446 or LPD433) and on the channels allowed in the country where the product is been used, in accordance with the local regulations.** It can be used to provide immediate, high quality, cost free 2-way communication, for both business or personal use, it is the ideal communication tool for many applications, like :

- Industry
- Construction Sites
- Shops, Stores & Shopping Malls
- Warehouses & Buildings
- Hotels & Resorts
- Safety & Emergency
- Baby Monitor
- Sport & Leisure
- Sporting Events, Concerts, Meetings
- Bike & Motorcycle Riding
- Kids and old persons Control
- Camping and Hiking
- Indoor & Outdoor Activities
- Sailing and Sports Flight

Features and Benefits

The radio includes a number of advanced features, nevertheless its operation is user firendly and you may get familiar with it, after few minutes of use.

Please refer to the following list of the main feautres in this two-way radio :

- 8 PMR Channels + 69 LPD Channels
- 38 CTCSS Codes
- Roger Beep Tone
- Keypad Program Tone
- Keypad Lock
- Up to 10 km range on PMR446 channels, depending on the environment
- Auto Squelch
- Auto Monitor
- Auto Power Save Circuit
- VOX (Baby Room Monitor) / Handsfree Use
- Adjustable Hi-LO Transmitter Power (PMR band)
- Channel Scan
- Channel / CTCSS Tone Memory

Introduction - Contents of Package - Controls and Indicators

- 3 Selectable Call Tone Melodies
- Last Used Channel Memory
- TX LED Indicator
- LCD Display
- Battery Status / Charge Indicator
- External Earset-Microphone Jack
- Wall Charger Jack
- Vibrator Alert (for silent use)
- Lithium Ion Battery Pack (720 mAh) Included

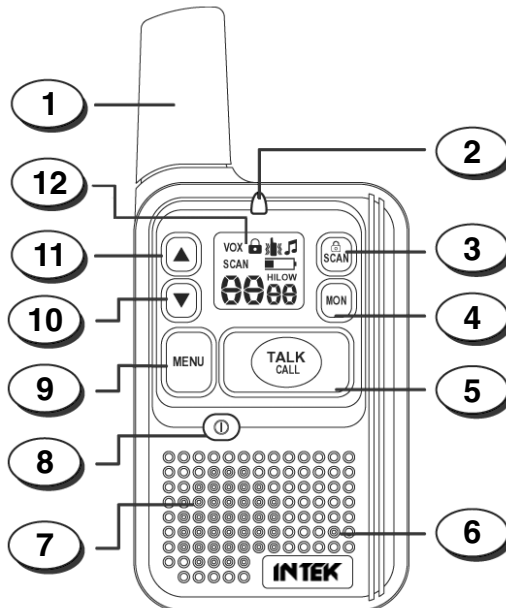
Contents of Package

Please carefully check that the package contains the following items :

- 2 x Main Unit (Radio)
- 2 x Li-Ion 720mAh Battery Pack (already installed into the radio)
- 2 x 230VAC Wall Charger
- 2 x Earset-Microphone
- 2 x Necklace
- 1 x User Manual (this one)

CONTROLS AND INDICATORS

Front Panel



1. Antenna

High efficiency antenna.

2. TX LED indicator

This green LED Indicator is lighted when radio is in transmit mode.

3. SCAN / LOCK Key

SCAN

Shortly press the SCAN / LOCK (3) key to start the channels scanning (refer to AUTOMATIC CHANNEL SCANNING at page 12).

KEYPAD LOCK

Press and hold the SCAN (3) key for about 5 seconds to enable the keypad LOCK function. Press and hold this key again to disable the keypad LOCK function (refer to KEYPAD LOCK at page 12).

4. MON Key

Press the MON key (4) to activate the Monitor function. This function opens Squelch in order to listen to the background noise and weak signals.

5. TALK / CALL Key

TALK

Press the TALK / CALL (5) key to transmit and hold it during transmission. The LED Indicator (2) will be lighted during transmission. Release the TALK / CALL Key (5) at the end of your transmission to return to the receive mode.

WARNING ! Do not touch the antenna during transmission.

CALL

Press the TALK / CALL Key (5) twice in rapid action to transmit Call Tone.

6. Built-in Microphone

Built-in microphone.

7. Built-in Speaker

Built-in front speaker.

8. ON-OFF Key

Press and hold this key to switch ON or OFF the radio.

9. MENU Key

Press the MENU Key (9) key enable and program the various functions of the radio. Pressing the MENU Key (9) key will scroll the various functions.

10. DOWN Key

The DOWN Key (10) is used to decrease the volume level (from level 8 to level 1) and toggle setting in Menu mode.

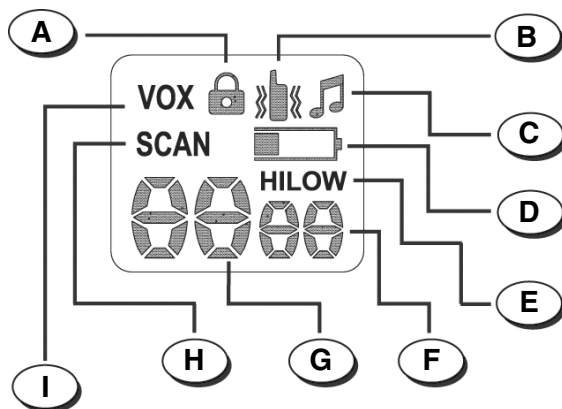
11. UP Key

The UP Key (11) is used to increase the volume level (from level 1 to level 8) and toggle setting in Menu mode.

12. LCD Display

The LCD Display indicates simultaneously all the programmed settings and all the enabled functions.

LCD Display



A. LOCK Icon

The LOCK Icon (A) is lighted when the Keypad Lock function has been enabled.

B. VIBRATE MODE Icon

This icon is lighted when the unit is in Vibrate-Alert mode. (Please refer to VIBRATE ALERT SETTING at page 12).

C. Roger Beep Icon

The Roger Beep Icon (D) is lighted when the Roger Beep function is enabled.

D. Low Battery Level Icon

It indicates when battery level is low or during the battery charging.

E. HI / LOW Power Indicator

Indicates when the unit is High Power mode (HI), or in Low Power mode (LOW). Transmitter power is adjustable only on the 8 PMR channels.

F. CTCSS Code Number

It shows the selected CTCSS Code Number.

G. Channel Number

It shows the selected channel, from P1 to P8 (PMR channels) and from 1 to 69 (LPD channels).

H. SCAN Icon

The SCAN icon (H) is lighted when the SCAN function has been enabled, in order to automatically search busy channels. (Please refer to AUTOMATIC CHANNEL SCANNING at page 12).

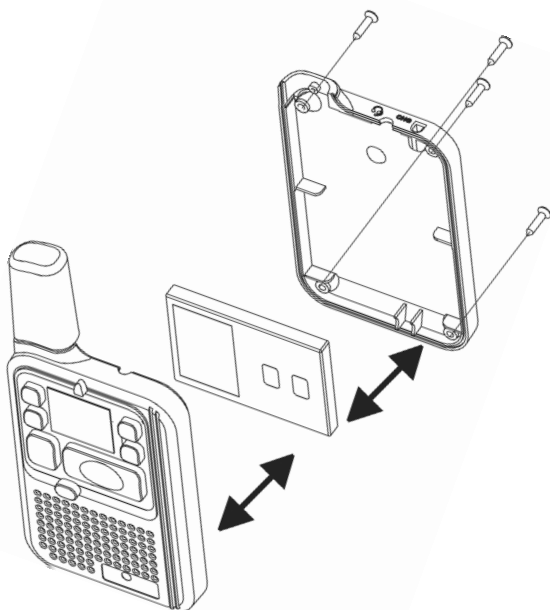
I. VOX Icon

The VOX Icon (I) is lighted when the VOX (handsfree use) function is enabled. (Please refer to VOX FUNCTION at page 11).

Battery Installation

The radio is powered by a Lithium-Ion Battery. The battery is already installed in the unit, but, if replacement is needed, please refer to the following procedure :

1. Release the Cabinet Back Cover located on the rear side of the unit, by removing four (4) pieces of Screws and remove the Battery Pack from the Battery Compartment.
2. Install the new Lithium-Ion Battery into the Battery Compartment. Be certain to follow the correct battery orientation in the compartment. Installing the batteries incorrectly will prevent the unit from operating. Use only the original Battery Pack.
3. Replace the Cabinet Back Cover and lock it into position, by replacing the four (4) Screws removed previously. Do not overtighten the screws to avoid damaging the plastic cabinet.



CAUTION :

To reduce the risk of fire or personal injury, use only the battery listed in this user manual. The radio has a built in Power Saver feature for maximum battery life. Anyway, when the radio is not being used, conserve battery power by pressing the ON/OFF Key (8) to OFF.

Battery Level and Low Battery Operation

The unit has a Low Battery Level icon (D) which will appear when it detects a low battery level. You should recharge the battery at this time. The Low Battery Level icon (D) will not appear on the LCD display (12) unless the unit detects that the battery is low.

When the unit has a Low Battery Level, then the PTT operation will be disabled and the unit will emit an Error Tone if the TALK/CALL Key (5) is pressed.

When the Low Battery icon (D) appears, then the TALK/CALL Key (5) and MENU Key (9) will be disabled.

If the unit is not charged within 5 minutes, then it will shut down until it is recharged.

Battery Charging

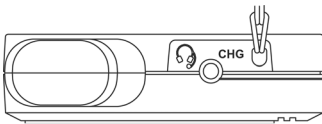
The radio comes with a 230VAC Adaptor Charger, which must be used to recharge the Lithium-Ion battery pack.

To charge the battery proceed as follow :

1. Locate the Headset / Charger Jack Cover on the top side of the unit.
2. Connect the A/C Adaptor Charger into an A/C wall outlet.
3. Insert the A/C Adaptor Charger plug into the Headset / Charge Jack.

During battery charging, the Low Battery Level icon (D) will appear on the LCD display (12) and it will disappear once the battery is fully charged.

NOTE: Charge the battery for approximately 12 hours before initial use.



HEADSET /CHARGER
JACK

OPERATION

Using the Radio

1. Switch on the radio by pressing and holding the ON/OFF key (8) for around 2 seconds. To switch off the radio, press and hold the ON/OFF key (8) for around 3 seconds.
2. Check the battery condition on the LCD display (12).
3. Adjust the volume to a comfortable level by pressing the UP (11) or DOWN (10) keys (default).

Transmitting and Receiving

To use the radio to communicate with others :

1. The radio is continuously in RECEIVE mode when the unit is ON.
2. Press and hold the TALK/CALL key (5) and speak as you normally would, holding the microphone (6) about 20 cm away from your mouth. While transmitting, the TX LED (2) located at the top side of the unit lights up. To avoid cutting off the first part of your transmission, do not speak immediately after pressing the TALK/CALL key (5); first pause briefly, then speak.
3. When you have finished speaking, release the TALK/CALL key (5). You are now ready to receive incoming transmission.

To communicate between two or more radios, both the channel number and the CTCSS code selections must be the same for all units.

Transmitting a Call Alert Tone

To transmit a Call Alert Tone, press the TALK/CALL key (5) twice in rapid action. The Call Alert Tone will be automatically transmitted for a fixed length of time.

During transmission, the TX LED (2) lights up and a Call Alert Tone is also locally generated for confirmation of operation. The radio will return to standby mode following completion of the Call Tone sequence.

Adjusting the Speaker Volume

To adjust the receiving Volume, proceed as follows :

1. Press the UP Key (11) to increase the Speaker Volume.
2. Press the DOWN Key (10) to decrease the Speaker Volume.
3. The current level setting from **1** to **8** indicates the Speaker Volume level. The default Speaker Volume is 4. This will normally not appear on the LCD Display (12) and will only appear when the UP (11) or DOWN (10) keys are pressed. The Volume setting will be displayed as follow :



Setting the Monitor Function

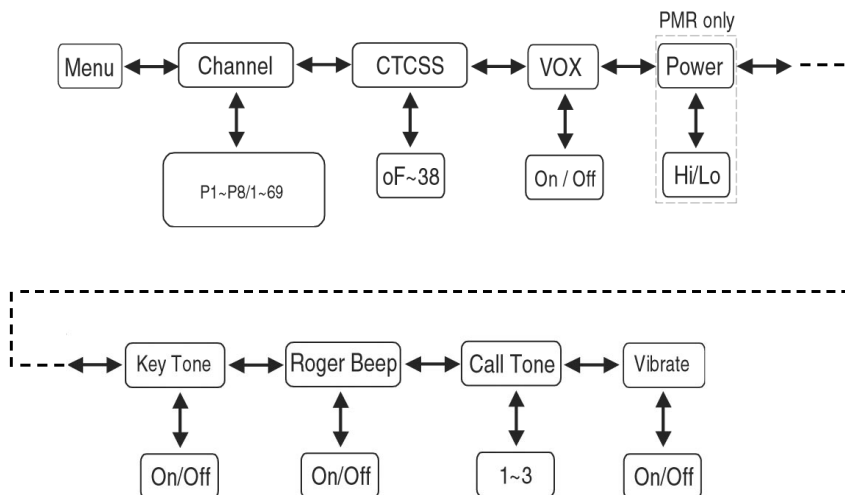
Pressing the MON Key (4) will let you hear the background noise, so you can adjust the volume level of the radio when not receiving a signal. The Monitor function may also be used to check any activity on the current channel before transmitting. To exit the Monitor function, press again the MON Key (4).

MENU OPERATION

Navigating through the Menu

To access the several advanced features, the radio has a convenient Menu program.

1. To enter the Menu Mode/Program, press the MENU key (9) briefly. A key beep will be locally generated when the Menu Mode is engaged.
2. Additional presses of the MENU key (9) for no longer than 1 second will advance you through the menu until exiting to Radio mode. A short key beep tone is generated at each key press.
3. Menu mode exits to standby mode when the MENU key (9) is pressed while the final menu selection is active.
4. Menu mode will automatically time out to standby mode 10 seconds after the last user programming key is pressed.
5. Menu mode can be also automatically cancelled by pressing the TALK/CALL key (5).



Channel Selection

The radio has 8 PMR channels (P1-P8) + 69 LPD channels (1-69). To choose the desired channel, please proceed as follows :

1. Press the MENU key (9) for at least one second. The channel number (G) will flash on the LCD Display (12).
2. Press the UP Key (11) or DOWN key (10) to select the desired channel. Auto-repeat is engaged by pressing and holding either the UP (11) or DOWN (10) keys. You' ll hear a standard key beep with each channel change.
3. To exit the Menu Mode, press TALK/CALL key (5).

Operation

PMR Channels

FREQ.	CH	FREQ.	CH	FREQ.	CH	FREQ.	CH
446.00625	P1	446.03125	P3	446.05625	P5	446.08125	P7
446.01875	P2	446.04375	P4	446.06875	P6	446.09375	P8

LPD Channels

FREQ.	CH	FREQ.	CH	FREQ.	CH	FREQ.	CH
433.07500	1	433.52500	19	433.97500	37	434.42500	55
433.10000	2	433.55000	20	434.00000	38	434.45000	56
433.12500	3	433.57500	21	434.02500	39	434.47500	57
433.15000	4	433.60000	22	434.05000	40	434.50000	58
433.17500	5	433.62500	23	434.07500	41	434.52500	59
433.20000	6	433.65000	24	434.10000	42	434.55000	60
433.22500	7	433.67500	25	434.12500	43	434.57500	61
433.25000	8	433.70000	26	434.15000	44	434.60000	62
433.27500	9	433.72500	27	434.17500	45	434.62500	63
433.30000	10	433.75000	28	434.20000	46	434.65000	64
433.32500	11	433.77500	29	434.22500	47	434.67500	65
433.35000	12	433.80000	30	434.25000	48	434.70000	66
433.37500	13	433.82500	31	434.27500	49	434.72500	67
433.40000	14	433.85000	32	434.30000	50	434.75000	68
433.42500	15	433.87500	33	434.32500	51	434.77500	69
433.45000	16	433.90000	34	434.35000	52	-	-
433.47500	17	433.92500	35	434.37500	53	-	-
433.50000	18	433.95000	36	434.40000	54	-	-

CTCSS Code Selection

The radio has 38 CTCSS private codes available. Different CTCSS tones may be associated to different channels. To choose the desired CTCSS code, please proceed as follows :

1. Enter to Menu mode. Advance through the Menu until the CTCSS Code Number (F) will flash on the LCD Display (12).
2. Press the UP Key (11) or DOWN key (10) to select the desired CTCSS Code Number. Auto-repeat is engaged by pressing and holding either the UP (11) or DOWN (10) keys. You'll hear a standard key beep with each CTCSS Code change.
3. To exit the Menu, press the TALK/CALL key (5).

CTCSS - TONE FREQUENCY CHART

No	Freq. (Hz)	No	Freq. (Hz)	No	Freq. (Hz)	No	Freq. (Hz)	No	Freq. (Hz)
OF	CTCSS OFF	08	88,5	16	114,8	24	151,4	32	203,5
01	67,0	09	91,5	17	118,8	25	156,7	33	210,7
02	71,9	10	94,8	18	123,0	26	162,2	34	218,1
03	74,4	11	97,4	19	127,3	27	167,9	35	225,7
04	77,0	12	100,0	20	131,8	28	173,8	36	233,6
05	79,7	13	103,5	21	136,5	29	179,9	37	241,8
06	82,5	14	107,2	22	141,3	30	186,2	38	250,3
07	85,4	15	110,9	23	146,2	31	192,8	-	-

Selecting a CTCSS code of **OF** will disable the CTCSS feature. To communicate between two or more radios, both the channel and CTCSS code selections must be the same. To communicate with other models and brands of radios, the actual radio frequency and CTCSS frequency must be matched. The frequency chart and CTCSS Code chart are included to help with this selection.

Notice : there are different systems to generate the CTCSS sub audible tones (tone coding method, time coding method, etc.) and therefore it might be occasionally possible to have CTCSS compatibility problems among radios from different manufacturers. In this case, it is suggested to use CTCSS tones with higher tone frequencies (tones # 11 to 38). It is anyway generally recommendable to use the CTCSS function among radios of the same type.

VOX (Handsfree use) Function

Your radio is equipped with a user selectable Voice Operated Transmitter function (VOX), that is used for automatic voice transmission (handsfree use or baby room monitor use). In this mode, transmission is automatically initiated by speaking into the microphone (6) and there is no need to push the TALK/CALL Key (5). To enable the VOX function, please proceed as follows :

1. Enter the Menu mode. Advance through the Menu until the VOX icon (I) appears on the LCD display (12).
2. Press the UP Key (11) or DOWN Key (10) to toggle between **on** (VOX function enabled) and **oF** (VOX function disabled) function of the VOX. When VOX feature is on, the VOX icon (I) will appear on the LCD display (12).
3. To exit the Menu, press the TALK/CALL key (5).

To get the full advantage of the convenience of a hands-free transmission and the privacy of conversation, you can purchase an external Ear Bud with Microphone to be used in conjunction with the VOX feature of your radio. Please do not use accessories other than the original ones (ESM-10 or ESM-20). The packaging already contains the external earset-microphones as a standard part.

To use the Ear Bud :

1. Set your radio to VOX Mode.
2. Insert the Ear Bud Jack into the Headset Jack.
3. Wear the Ear Bud and adjust the Microphone location.

Transmitter RF Power Setting

Your radio has a HI/LOW Power selection function to set the TX Power for PMR Band. This function is very convenient to reduce the current drain and extend battery life when communicating within short distance. To select the output power on the PMR Band please proceed as follow :

1. Enter to Menu mode. Advance through the Menu until the **Pr** icon (F) appears on the LCD Display (12).
2. Press the UP Key (11) or DOWN Key (10) to set the Power to **HI** (E) or **LOW** (E).
3. To exit the Menu, press TALK/CALL key (5).

Note : this function is available only on the 8 PMR channels.

Keypad Program Tone Setting

When a key is pressed, a beep tone is heard to confirm your command. The user may enable or disable this keypad program tone.

1. Enter to Menu mode. Advance through the Menu until the **bp** icon (G) appears on the LCD display (12).
2. Press the UP Key (11) or DOWN Key (10) to toggle between **on** (Key Program Tone enabled) and **oF** (Key Program Tone disabled).
3. To exit the Menu, press TALK/CALL key (5).

Roger Beep Tone Setting

The radio is equipped with a user selectable Roger Beep Tone feature, which enables you to send a Beep Tone at the end of each transmission after every release of the TALK/CALL Key (5). This will prompt any receiving unit that your transmission has ended. To enable or disable this function, please proceed as follows :

1. Enter to Menu mode. Advance through the Menu until the Roger Beep icon (C) appears on the LCD display (12).
2. Press the UP Key (11) or DOWN Key (10) to toggle between **on** (Roger Beep enabled) and **oF** (Roger Beep disabled).
3. To exit the Menu, press TALK/CALL key (5).

Call Tone Setting

The radio is equipped with 3 user selectable Call tone melodies. To set the desired Call tone melody, please proceed as follows :

1. Enter to Menu mode. Advance through the Menu until the **CA** icon (G) appears on the LCD display (12).
2. Press the UP Key (11) or DOWN Key (10) to toggle between 1~3 choices of Call Tone pattern.
3. To exit the Menu, press TALK/CALL Key (5).

Vibrate Alert Setting

Your radio is equipped with a **Vibrate alert** for silent operation of the radio. The radio will vibrate when receiving a call tone transmission instead of emitting a call tone sound. To set the unit at Vibrate alert mode :

1. Enter to Menu mode. Advance through the Menu until the Vibrate Mode icon (B) appears on the LCD display (12).
2. Press the UP Key (11) or DOWN Key (10) to toggle between **on** (Vibrate Alert enabled) and **oF** (Vibrate Alert disabled).
3. To exit the Menu, press TALK/CALL key (5).

Automatic Channel Scanning

This function allows automatic scanning of all channels and programmed memories. To start the automatic scan function proceed as follows :

1. Press the SCAN/LOCK key (3). Once engaged, the unit will automatically start to rapidly scan the whole channels of the radio for any activity.
The unit will pause on the first active channel found for about 4-5 seconds, before resuming Scan function. If the TALK/CALL Key (5) is pressed while on an active channel, the radio will stop scanning and will resume scanning after about 14 seconds if no transmission is further received.
If the TALK/CALL Key (5) is pressed while scanning, the radio will return to its original channel.
2. To exit the Scan mode, press again the SCAN/LOCK key (3).

Keypad Lock

To avoid entering unwanted command, press and hold the SCAN/LOCK (3) key for about 5 seconds . The LOCK icon (A) will appear on the LCD display (12). When the Keylock function is enabled, the UP (11), DOWN (10), SCAN (3) and MENU (9) keys will be disabled. When the keypad is locked, you will still be able to turn the radio OFF and ON, Monitor, transmit, receive and send a CALL tone. To unlock the Keypad, press again the SCAN/LOCK (3) key for about 5 seconds.

Auto Squelch

Your radio is equipped with an automatic Squelch system that automatically cuts off weak transmissions and unwanted noise due to terrain conditions and range limitations. By pressing the MON Key (4), the Squelch function will be disabled and you will hear the background noise or any weak signal. To resume the automatic Squelch, just press the MON Key (4) again.

Automatic Power Save Setting

The radio has a unique Automatic Power Save circuit designed to dramatically extend battery life. If it senses no transmission within 5 seconds, it automatically switches to the Power Save mode. The Radio can still receive transmissions in this mode.

SPECIFICATIONS

Channels	8 PMR Channels + 69 LPD Channels with 38 CTCSS Codes
Operating Frequency	UHF 446.00625 - 446.09375 MHz (PMR Band) UHF 433.07500 - 434.77500 MHz (LPD Band)
Power Source	7.2V (Lithium-Ion Battery Pack)
Output Power	0.5W ERP High / 0.05W ERP Low (PMR BAND) 0.01W ERP maximum (LPD Band)
Dimensions	H120 (antenna included) x L54 X D14.6 mm
Weight	gr. 76 (Battery Pack included)

Damaged Antenna

Do not use any radio that has a damaged Antenna. If a damaged antenna comes in contact with the skin, a minor burn may occur.

Battery Operation - Important Information

Only use battery which is indicated in the manual. Using another type of battery can substantially reduce play time or damage the radio. A battery pack may last for about 1,000 charge/discharge cycles. Should it be necessary to replace it, battery must be replaced only with the original type.

Dispose of battery in the proper manner, according to federal, state and local regulations that apply in your area.

Battery may leak electrolyte if mixed with a different battery type, if inserted incorrectly, if disposed of in fire, or if an attempt is made to charge a battery not intended to be charged.

Discard leaky batteries immediately. Leaking batteries can cause skin burns or other personal injury.

OPTIONAL ACCESSORIES

ESM-10	External Earset-Microphone with Tie Clip
ESM-20	External Earset- Flexible Boom Microphone with Tie Clip
SM-007-B1	External Transparent Earset-Microphone for Security use.
TH-1000	Soft Carrying Case with PVC transparent window

Important Informations

Important !

Changes or modifications to this product could void your authority to operate this unit. Your radio is produced and factory set to transmit a regulated signal on an assigned frequency. It is against the law to alter or adjust the settings inside the radio to exceed those limitations. Any adjustment to your radio must be made by a qualified authorized technician or service.

To be safe and sure :

Never open the cabinet of your radio.

Never change or replace anything in your radio (except the battery).

Your radio might cause TV or radio interference even when it is operating properly. To determine whether your radio is causing the interference, turn it off. If the interference goes away, your radio is causing it. Try to eliminate the interference by moving your radio away from the receiver. If you cannot eliminate the interference, stop using the radio.

Hazardous Environments :

Do not operate the radio in hazardous environments.

Care and Safety :

To clean the radio, use a soft cloth dampened with water. Do not use cleaners or solvents because they can harm the body of the unit and leak inside, causing permanent damage. Use a dry, lint-free cloth to clean the battery contacts.

Do not submerge the unit in water or use it on a wet environment. If the unit gets wet, turn it off and remove the battery immediately. Dry the battery and the battery compartment with a soft cloth to minimize potential water damage. Leave the battery compartment cover off overnight to ensure complete drying. Do not use the radio until it is completely dry.

Notice ! Use of Multi-Standard Transceivers

This transceiver is a Multi-Standard (DUAL BAND) device and it may be used in all the European countries and in some other countries as well, but only on the channels (frequencies) allowed by the local regulations in each country.

PMR446 (8 channels) : Austria, Belgium, Czech Rep., Denmark, Finland, France, Germany, Greece, Island, Irland, Italy, Luxembourg, Norway, Holland, Poland, Portugal, Spain, Sweden, Switzerland, UK, Turkey

LPD433 (69 channels) : Austria, France, Germany, Greece, Norway, Holland, Russia, Sweden, Italy (20 channels)

Notice :

The contents of this manual have been carefully checked, however we do not take any responsibility for any possible errors & omissions. No part of this manual can be reproduced, distributed or used in any way, unless it is authorised by the manufacturer.

Declaration of Conformity - User Information

English

EC Certificate of Conformity
(to EC Directive 2006/95, 2004/108, 99/5)

DECLARATION OF CONFORMITY

With the present declaration, we certify that the following products :

INTEK SL-02

comply with all the technical regulations applicable to the above mentioned products in accordance with the EC Directives 2006/95/EC, 2004/108/EC, 99/5/EC.

Type of product :	LPD / PMR 446 Transceiver
Details of applied standards :	EN 300 220-1-2-3, EN 301 489-1-3, EN 60065 EN 300 296-2, EN 301 489-5, EN 60065
Manufacturer :	INTEK S.R.L. 16 Via G. Marconi 20090 Segrate (Mi) Tel. 02-26950451 / Fax 02-26952185 E-Mail intek.com@intek-com.it
Contact Reference :	Armando Zanni Tel. 02-26950451 / Fax 02-26952185 E-Mail intek.com@intek-com.it

Segrate, 02/07/2009

dr. Vittorio Zanetti (General Manager)



User Information

in accordance with art. 13 of the Legislative Decree of 25th July 2005, no. 15 "Implementation of Directives 2002/95/EC, 2002/96/EC and 2003/108/EC, relative to reduction of the use of hazardous substances in electrical and electronic equipment, in addition to waste disposal".



The crossed bin symbol shown on the equipment indicates that at the end of its working life the product must be collected separately from other waste.

The user must therefore take the above equipment to the appropriate differentiated collection centres for electronic and electro technical waste, or return it to the dealer when purchasing a new appliance of equivalent type, in a ratio of one to one.

Appropriate differentiated waste collection for subsequent recycling, treatment and environment-friendly disposal of the discarded equipment helps to prevent possible negative environmental and health effects and encourages recycling of the component materials of the equipment.

Illegal disposal of the product by the user will be punished by application of the administrative fines provided for by the legislative decree no. 22/1997 (article 50 and following of the legislative decree no. 22/1997).

Indice	17
Introduzione	18-19
Contenuto della Confezione	19
Descrizione dei comandi e indicatori	19-21
Installazione della batteria	22
Utilizzo della batteria	23
Funzionamento	24-29
Specifiche Tecniche	29
Accessori Opzionali	29
Altre Informazioni	30
Avvertenze Importanti	31
Avviso agli utenti	31
Garanzia Limitata	31-32
Dichiarazione di Conformità	32
Note.....	33-34

IMPORTANTE !

Si consiglia vivamente di prendere visione del contenuto di questo manuale, prima di utilizzare la ricetrasmittente. Questo anche per evitare di utilizzare gli apparecchi al di fuori dei limiti previsti dalle norme di legge in vigore.

IMPORTANTE !

La massima portata operativa è variabile secondo le condizioni del terreno e ambientali. La portata è normalmente maggiore negli spazi aperti, mentre diminuisce sensibilmente all' interno o intorno agli edifici o altre strutture. Questa ricetrasmittente può non garantire la segretezza delle comunicazioni.



Congratulazioni !

Congratulazioni per aver scelto ed acquistato un prodotto di qualità INTEK. Con un uso corretto e seguendo il set-up e le istruzioni d'uso in questo Manuale di Istruzioni, questo apparecchio vi garantirà un servizio senza problemi per molti anni.

Ci impegnamo costantemente a fornire prodotti di qualità che rispondano alle vostre esigenze, ma siamo comunque sempre molto interessati a ricevere eventuali vostri commenti o suggerimenti su questo prodotto, che ci aiutino nel continuo miglioramento della qualità.

Applicazioni

INTEK SL-02 è una ricetrasmittente personale di ultima generazione, leggerissima, veramente tascabile, compatta e dal design molto sottile, che opera nella banda europea PMR 446 MHz e LPD 433 MHz. **La radio deve operare nelle bande (PMR446 o LPD433) e nei canali ammessi nel paese dove il prodotto viene utilizzato, in accordo con le restrizioni locali.** Questo apparecchio permette una comunicazione via radio immediata, di alta qualità, sia per l'uso professionale che personale, è uno strumento di comunicazione ideale per molteplici usi, quali :

- Commercio
- Industria
- Cantieri Edili
- Negozi, Magazzini & Centri Commerciali
- Capannoni, Uffici & Palazzi
- Hotels & Resorts
- Sicurezza & Soccorso
- Controllo Bambini
- Sport & Tempo Libero
- Eventi Sportivi, Concerti, Meetings
- Uso in Bicicletta o Motocicletta
- Monitoraggio Anziani o Neonati
- Campeggio e Escursioni
- Attività Indoor & Outdoor
- Nautica e Volo Sportivo

Caratteristiche Principali

Questo apparecchio comprende numerose funzioni avanzate, ciò nonostante l'uso è molto semplice e potete prendere familiarità con la radio dopo pochi minuti di uso.

Per favore riferitevi alla lista seguente delle principali funzioni incorporate :

- 8 Canali PMR + 69 Canali LPD
- 38 Codici Privati CTCSS
- Tono Roger Beep
- Tono di Inserimento Comandi
- Blocco della Tastiera
- Portata fino a 10 km nei canali PMR446, secondo le condizioni ambientali
- Auto Squelch
- Auto Monitor
- Circuito automatico Power Save
- Sistema VOX (Baby Room Monitor) / Uso Mani Libere
- Potenza del Trasmettitore Regolabile HI-LO (in banda PMR)
- Scansione automatica dei Canali

- Memoria delle Combinazioni Canale / CTCSS
- 3 Diversi Toni Musicali di Chiamata
- Indicatore LED di trasmissione
- Display LCD
- Indicatore di Livello Batteria / Indicatore di ricarica
- Presa per Microfono Auricolare Esterno / Ricarica
- Avviso di chiamata silenzioso a vibrazione
- Batteria agli ioni di Litio (720mAh) incorporata

Contenuto della confezione

Per favore controllate che la confezione contenga tutti i seguenti componenti :

2 x Unità Principale (Ricetrasmittente)

2 x Pacco batterie ricaricabile agli Ioni di Litio (già installata nella radio)

2 x Caricabatterie da parete 230VAC

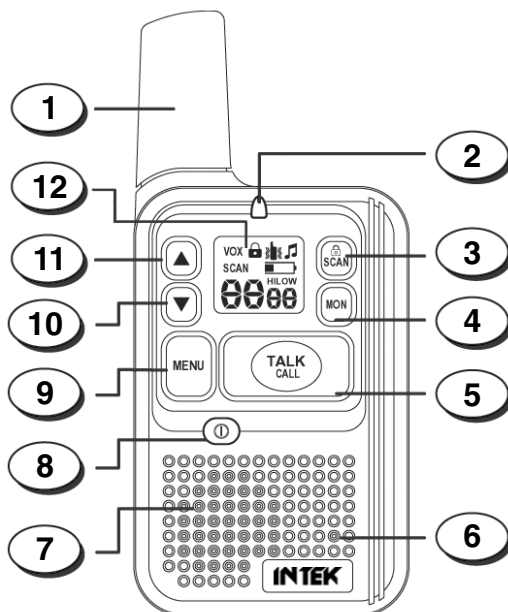
2 x Auricolare-microfono

2 x Laccio per tracolla

1 x Manuale d' Istruzioni

CONTROLLI E INDICATORI

Pannello frontale



1. Antenna

Antenna ad alto rendimento.

2. Indicatore LED TX

Indicatore LED luminoso di colore verde, è acceso quando il ricetrasmittitore è in modalità trasmissione.

3. SCAN / LOCK Key

SCAN

Premere brevemente questo tasto per attivare la scansione automatica dei canali (vedi paragrafo SCANSIONE AUTOMATICA a pag. 28).

BLOCCO TASTIERA KEY LOCK

Mantenere premuto il tasto SCAN/LOCK (3) per circa 5 secondi per attivare il blocco della tastiera. Per disattivare il blocco tastiera, mantenere premuto di nuovo il tasto SCAN/LOCK (3) (vedi paragrafo BLOCCO DELLA TASTIERA a pag. 28).

4. Tasto Monitor

Premere questo tasto per attivare la funzione Monitor. Questa funzione consente di aprire lo Squelch e ascoltare così il rumore di fondo.

5. Tasto TALK / CALL

TALK

Tasto di trasmissione. Premere per trasmettere e mantenere premuto durante la trasmissione. L' indicatore LED TX (2) rimarrà acceso durante la trasmissione. Rilasciare il tasto TALK / CALL (5) per ritornare in modalità ricezione.

ATTENZIONE ! Non toccare l' antenna durante la trasmissione.

CALL

Premere il tasto TALK / CALL (5) 2 volte in rapida sequenza per trasmettere un tono di chiamata.

6. Microfono incorporato

Microfono entro contenuto.

7. Altoparlante incorporato

Altoparlante entro contenuto.

8. Tasto ON-OFF

Mantenere premuto questo tasto per accendere o spegnere la radio.

9. Tasto MENU

Premere il tasto MENU (9) per accedere al menu e abilitare e programmare le diverse funzioni della radio. Ad ogni pressione del tasto MENU (9), è possibile selezionare in sequenza una delle varie funzioni.

10. Tasto DOWN

Tasto per la regolazione del livello di volume in ordine decrescente (dal livello 8 al livello 1) e lo scorrimento delle funzioni in modalità Menu.

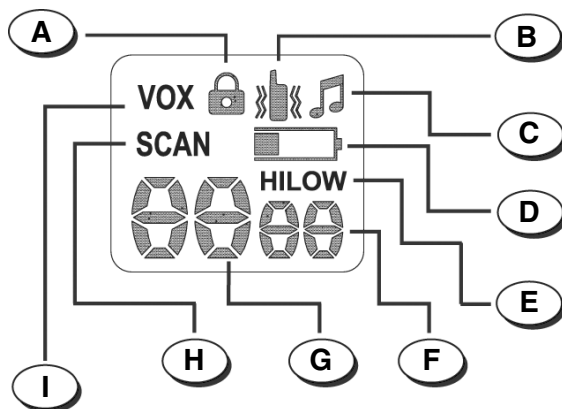
11. Tasto UP

Tasto per la regolazione del livello di volume in ordine crescente (dal livello 1 al livello 8) e lo scorrimento delle funzioni in modalità Menu.

12. Display LCD

Display LCD, indica simultaneamente tutti i parametri in uso e tutte funzioni e i dispositivi attivati.

Display LCD



A. Icona LOCK

L'icona LOCK (A) è accesa quando la funzione di blocco tastiera è attiva.

B. Icona VIBRAZIONE

L'icona VIBRAZIONE (B) è accesa quando è attivo l'allarme Vibrazione. (vedi paragrafo IMPOSTAZIONE DELLA FUNZIONE VIBRAZIONE a pag. 28).

C. Icona Roger Beep

L'icona Roger Beep (C) è accesa quando è abilitato il dispositivo Roger Beep (tono di fine trasmissione).

D. Icona livello batteria

L'icona (D) indica quando il livello della batteria è basso o durante il processo di ricarica.

E. Indicatore potenza ALTA / BASSA

Indica la potenza selezionata del trasmettitore alta (HI), o bassa (LOW). La potenza del trasmettitore è regolabile solo nei canali PMR.

F. Indicazione tono CTCSS

Visualizza il numero del codice CTCSS selezionato.

G. Indicazione del canale

L'indicazione consente la lettura del numero del canale in uso, da P1 a P8 (canali PMR) e da 1 a 69 (canali LPD).

H. Icona SCAN

L'icona SCAN (H) è accesa quando è attiva la funzione di scansione SCAN, ovvero la ricerca automatica dei canali occupati. (vedi paragrafo SCANSIONE AUTOMATICA DEI CANALI a pag. 28).

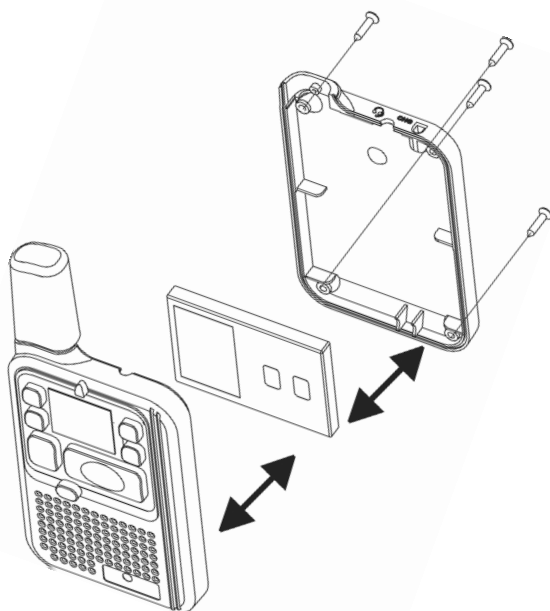
I. Icona VOX

L'indicazione VOX (I) indica che la funzione VOX (uso a mani libere) è attiva. (vedi paragrafo IMPOSTAZIONE DELLA FUNZIONE VOX a pag. 27).

Installazione della Batteria

La radio è alimentata tramite una batteria agli Ioni di Litio. La batteria è già installata nella radio, ma in caso di necessità di sostituzione, procedere come segue :

1. Rimuovere il pannello posteriore della radio, svitando le quattro viti poste su di esso, togliere il pannello ed estrarre il pacco batteria.
2. Installare un nuovo pacco batteria agli Ioni di Litio nell' alloggiamento previsto. Assicuratevi di inserire la batteria correttamente nell' alloggiamento, in caso contrario la radio non potrà funzionare.
3. Riposizionate il coperchio posteriore della radio e bloccatelo nella sua posizione rimettendo le quattro viti precedentemente rimosse. Evitare di stringere eccessivamente le viti per evitare di danneggiare il contenitore in materiale plastico.



AVVERTENZA :

Per ridurre il rischio di incendio o danni alla persona, utilizzare solo le batterie originali, come indicato in questo manuale. La radio incorpora un circuito Power Saver per ottimizzare ed aumentare l' autonomia della batteria. Tuttavia, quando la radio non è utilizzata, vogliate mantenerla spenta premendo il tasto Power ON-OFF (8).

Livello Batteria e Funzionamento con Batteria Scarica

La radio ha un indicatore di livello di batteria scarica (Low Battery) (D); il simbolo appare sul display LCD (12) quando lo stato di carica della batteria è insufficiente. E' necessario a questo punto ricaricare la batteria. Il simbolo non apparirà sul display (12) se la batteria non ha un basso livello di carica.

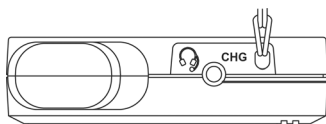
Quando la batteria è insufficiente, il tasto di trasmissione TALK/CALL (5) non potrà essere attivato e un tono di errore verrà emesso se si tenta di premerlo. Quando il simbolo di batteria scarica (D) compare sul display LCD (12), i tasti TALK/CALL (5) e MENU (9) sono disattivati. Se la radio non viene ricaricata entro cinque minuti, la stessa si spegnerà automaticamente.

Ricarica della Batteria

La radio viene fornita completa di un carica batteria da muro per ricaricare la batteria agli Ioni di Litio. Per ricaricare la batteria procedere come segue :

1. Localizzate la presa Headset / Charger posta sulla parte superiore della radio.
2. Collegate il Carica Batteria ad una presa di rete 230VAC.
3. Collegate il Carica Batteria alla radio tramite l' apposita presa Headset / Charger. Durante la ricarica il simbolo di batteria scarica (D) appare sul display LCD (12) e scompare non appena la batteria è completamente ricaricata.

NOTA : Per il primo utilizzo, caricare la batteria per circa 12 ore.



HEADSET /CHARGER
JACK

FUNZIONAMENTO

Utilizzo della radio

1. Accendere la radio premendo e mantenendo premuto il tasto ON/OFF (8) per circa 2 secondi. Per spegnere la radio, premere il tasto ON/OFF (8) per circa 3 secondi.
2. Controllare il livello di carica della batteria sul display LCD (12).
3. Regolare il volume ad un livello confortevole premendo il tasto UP (11) o il tasto DOWN (12) (default).

Trasmettere e Ricevere

Per utilizzare la radio per comunicare con altri apparecchi, eseguire le seguenti operazioni :

1. La radio è continuamente in modalità ricezione quando è accesa. Accendere la radio premendo per 2 secondi il tasto ON/OFF (8).
2. Premere e mantenere premuto il tasto TALK/CALL (5) e parlare normalmente tenendo il microfono (6) a circa 20 cm dalla bocca. Durante la trasmissione l' indicatore LED (2) posizionato sulla parte superiore della radio sarà acceso. Per evitare che sia perduta la prima parte della trasmissione, non parlare immediatamente dopo aver premuto il tasto TALK/CALL (5); prima fare una breve pausa e poi parlare.
3. Terminata la conversazione, rilasciare il tasto TALK/CALL (5). Adesso siete pronti per ricevere la trasmissione in entrata. Per comunicare tra 2 o più radio, le selezioni di canale e di codice CTCSS devono essere le stesse per tutte le radio.

Inviare una Tonalità di Chiamata

Per inviare una tonalità di chiamata CALL ALERT, premere due volte in rapida sequenza il tasto TALK/CALL (5). La Tonalità Call Alert sarà automaticamente trasmessa per una durata di alcuni secondi. Durante la trasmissione, l'indicatore LED TX (2) sarà acceso e il tono musicale di chiamata viene ascoltato per confermare l'operazione. La radio ritorna poi automaticamente in modalità ricezione.

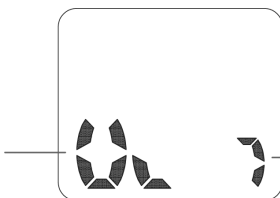
Regolazione Volume Altoparlante

Per regolare il Volume di ascolto, eseguire le seguenti operazioni :

1. Premere il tasto UP (11) per aumentare il volume dell' altoparlante.
2. Premere il tasto DOWN (10) per diminuire il volume dell' altoparlante.
3. La regolazione del livello attuale da 1 a 8 che appare sul display LCD (12) indica il volume dell' altoparlante. Il volume di default dell' altoparlante è 4. Il livello 4 non appare normalmente sul display LCD (12) e appare solo se vengono premuti i tasti UP (11) o DOWN (10).

La regolazione del Volume viene indicata come segue :

SIMBOLO DEL
VOLUME



LIVELLO DEL
VOLUME

Funzione Monitor

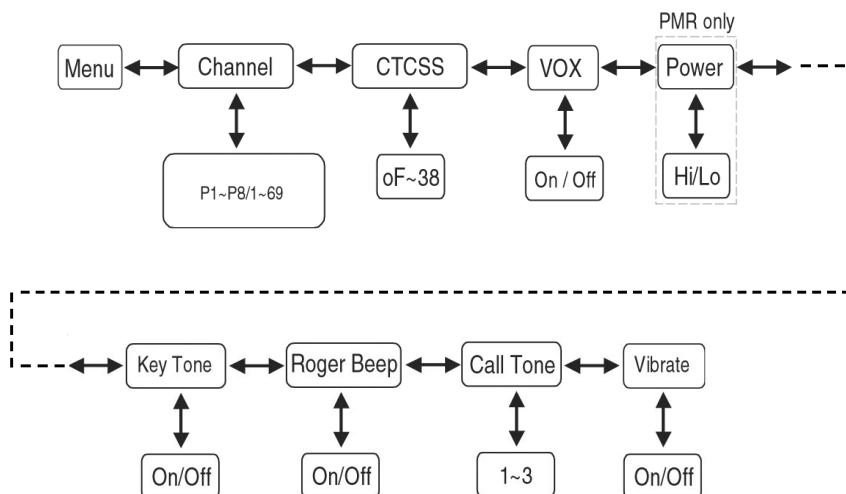
Premendo il tasto MON (4) è possibile udire i rumori di sottofondo, potendo quindi più agevolmente regolare il livello del volume della radio. La funzione Monitor può anche essere utilizzata per controllare l'attività sul canale (in uso) prima di trasmettere. Per uscire dalla funzione Monitor, premere nuovamente il tasto MON (4).

UTILIZZO DEL MENU

Navigare attraverso il Menu

Per accedere alle varie funzioni disponibili, la radio è dotata di un apposito Menu.

1. Per entrare nella modalità Menu, premere il tasto MENU (9). Un tono beep sarà prodotto quando la modalità Menu è attivata.
2. Premendo ulteriormente il tasto MENU (9) per non più di un secondo, il menu scorrerà attraverso tutte le funzioni e sino alla modalità di uscita dal menu stesso.
3. La modalità Menu passerà automaticamente in modalità stand-by (ricezione) circa 10 secondi dopo l'ultimo utilizzo del programma menu.
4. Dalla modalità Menu si esce automaticamente in modalità stand-by, premendo il tasto MENU (9) mentre l'ultima funzione del Menu è attiva.
5. E' possibile anche uscire automaticamente dalla modalità Menu in qualsiasi momento premendo semplicemente il tasto TALK/CALL (5).



Selezione dei canali

La radio dispone di 8 canali PMR (P1-P8) + 69 canali LPD (1-69). Per selezionare il canale desiderato, eseguire le seguenti operazioni :

1. Premere il tasto MENU (9) per almeno un secondo. Il numero del canale (G) lampeggerà sul display LCD (12).
2. Premere il tasto UP (11) o il tasto DOWN (12) per selezionare il canale desiderato. Mantenendo premuto uno di questi tasti, la selezione dei canali avverrà con velocità maggiore.
3. Per confermare la selezione eseguita ed uscire dal menu, premere il tasto TALK/CALL (5).

Funzionamento

Canali PMR

FREQ.	CH	FREQ.	CH	FREQ.	CH	FREQ.	CH
446.00625	P1	446.03125	P3	446.05625	P5	446.08125	P7
446.01875	P2	446.04375	P4	446.06875	P6	446.09375	P8

Canali LPD

FREQ.	CH	FREQ.	CH	FREQ.	CH	FREQ.	CH
433.07500	1	433.52500	19	433.97500	37	434.42500	55
433.10000	2	433.55000	20	434.00000	38	434.45000	56
433.12500	3	433.57500	21	434.02500	39	434.47500	57
433.15000	4	433.60000	22	434.05000	40	434.50000	58
433.17500	5	433.62500	23	434.07500	41	434.52500	59
433.20000	6	433.65000	24	434.10000	42	434.55000	60
433.22500	7	433.67500	25	434.12500	43	434.57500	61
433.25000	8	433.70000	26	434.15000	44	434.60000	62
433.27500	9	433.72500	27	434.17500	45	434.62500	63
433.30000	10	433.75000	28	434.20000	46	434.65000	64
433.32500	11	433.77500	29	434.22500	47	434.67500	65
433.35000	12	433.80000	30	434.25000	48	434.70000	66
433.37500	13	433.82500	31	434.27500	49	434.72500	67
433.40000	14	433.85000	32	434.30000	50	434.75000	68
433.42500	15	433.87500	33	434.32500	51	434.77500	69
433.45000	16	433.90000	34	434.35000	52	-	-
433.47500	17	433.92500	35	434.37500	53	-	-
433.50000	18	433.95000	36	434.40000	54	-	-

Selezione del tono CTCSS

La radio dispone di 38 codici privati CTCSS. E' possibile associare un diverso tono CTCSS a ciascun canale. Per impostare un tono CTCSS, eseguire le seguenti operazioni :

1. Premere più volte il tasto MENU (9) finchè il numero del tono CTCSS (F) lampeggia sul display LCD (12). Se nessun tono è selezionato verrà visualizzata l' indicazione **oF** (F).
2. Premere il tasto UP (11) o DOWN (10) per selezionare il tono CTCSS desiderato. Mantenendo premuto uno di questi tasti, la selezione avverrà con velocità maggiore.
3. Per uscire dalla modalità Menu, premere il tasto TALK / CALL (5).

CTCSS - TABELLA DEI TONI PRIVATI

No	Freq. (Hz)	No	Freq. (Hz)	No	Freq. (Hz)	No	Freq. (Hz)	No	Freq. (Hz)
OF	CTCSS OFF	08	88,5	16	114,8	24	151,4	32	203,5
01	67,0	09	91,5	17	118,8	25	156,7	33	210,7
02	71,9	10	94,8	18	123,0	26	162,2	34	218,1
03	74,4	11	97,4	19	127,3	27	167,9	35	225,7
04	77,0	12	100,0	20	131,8	28	173,8	36	233,6
05	79,7	13	103,5	21	136,5	29	179,9	37	241,8
06	82,5	14	107,2	22	141,3	30	186,2	38	250,3
07	85,4	15	110,9	23	146,2	31	192,8	-	-

Note : Selezionando il codice CTCSS **oF**, la funzione CTCSS sarà disattivata. Per comunicare tra due o più radio, le selezioni del canale e del codice CTCSS devono essere le stesse. Per comunicare con altri modelli e marchi di radio, l'attuale frequenza radio e la frequenza del tono CTCSS devono coincidere. Fate riferimento alle tabelle delle frequenze (canali e toni CTCSS) in questo manuale.

Avvertenza : esistono diversi sistemi di generazione dei toni CTCSS (Tone Coding, Time Coding, ecc.), pertanto è occasionalmente possibile avere problemi di compatibilità CTCSS tra radio di marche diverse. In questo caso, si suggerisce di utilizzare i toni più alti (n. 11 a 38). E' comunque in generale raccomandato di utilizzare la funzione CTCSS tra radio dello stesso tipo.

Impostazione della funzione VOX (uso a mani libere)

La radio dispone della funzione VOX, che può essere utilizzata per una trasmissione di voce automatica (uso a mani libere o uso come baby room monitor). In questa modalità, la trasmissione inizia automaticamente parlando nel microfono (6). Non c'è bisogno quindi di premere il tasto TALK/CALL (5). Per impostare la modalità VOX, eseguire le seguenti operazioni :

1. Premere più volte il tasto MENU (9) finché l'icona VOX (I) inizia a lampeggiare sul display LCD (12).
2. Premere i tasti UP (11) o DOWN (10) per attivare la funzione VOX (**on**) o disattivarla (**oF**). Quando la funzione VOX è attiva, l'icona VOX (I) compare sul display LCD (12).
3. Per uscire dalla modalità Menu, premere il tasto TALK/CALL (5).

Per sfruttare tutti i vantaggi della convenienza della trasmissione a mani libere o della conversazione privata, potete acquistare un auricolare-microfono esterno, da utilizzare con la funzione VOX della radio. Per evitare danni o malfunzionamenti della radio, usare solamente accessori originali (mod. ESM-10 o ESM-20). La confezione contiene già gli auricolari-microfono esterni come componenti standard.

Per utilizzare il microfono auricolare esterno, eseguire le seguenti operazioni :

1. Attivate la funzione VOX della radio.
2. Collegate il microfono-auricolare esterno alla apposita presa Headset Jack posta sulla parte superiore della radio.
3. Indossate e utilizzate il microfono-auricolare esterno.

Selezione della Potenza del Trasmettitore

La radio dispone di una funzione di selezione della potenza del trasmettitore (alta/bassa). Questa funzione è attivabile solamente per i canali PMR, molto utile per ridurre il consumo della batteria e per ridurre l'inquinamento radio nell'aria, durante comunicazioni a breve distanza. Per selezionare la potenza del trasmettitore, eseguire le seguenti operazioni :

1. Premere più volte il tasto MENU (9) finché l'indicazione **Pr** (F) compare sul display LCD (12).
2. Premere il tasto UP (11) o il tasto DOWN (10) per selezionare il livello di potenza desiderato **HI** (alta potenza) o **LOW** (bassa potenza).
3. Per uscire dalla modalità Menu, premere il tasto TALK/CALL (5).

Impostazione del tono di tastiera

Ogni qualvolta viene premuto un tasto della radio, un tono beep è prodotto per confermare il comando inserito. Questa nota musicale può essere attivata o disattivata dall'utente, eseguendo le seguenti operazioni :

1. Premere più volte il tasto MENU (9) finché l'icona **bP** (G) compare sul display LCD (12).
2. Premere il tasto UP (11) o il tasto DOWN (10) per selezionare **on** (tono beep attivato) oppure **oF** (tono beep disattivato).
3. Per uscire dalla modalità Menu, premere il tasto TALK/CALL (5).

Impostazione della funzione Roger Beep

Questa funzione permette di inviare automaticamente una nota musicale quando viene rilasciato il tasto TALK/CALL (5). Questo avviso musicale conferma al vostro corrispondente che la vostra trasmissione è finita. Per impostare la funzione Roger Beep, eseguire le seguenti operazioni :

1. Premere più volte il tasto MENU (9) finchè l' icona del tono Roger Beep (C) inizia a lampeggiare.
2. Premere il tasto UP (11) o il tasto DOWN (10) per selezionare **on** (tono beep attivato) o **oF** (tono beep disattivato).
3. Per uscire dalla modalità Menu, premere il tasto TALK/CALL (5).

Impostazione del Tono di Chiamata Call

La radio dispone di 3 differenti toni musicali (melodie) per l' avviso di chiamata. Per selezionare la melodia desiderata, eseguire le seguenti operazioni :

1. Premere più volte il tasto MENU (9) finchè compare la scritta **CA** (G) e il numero della melodia selezionata (F) inizia a lampeggiare sul display LCD (12).
2. Premere il tasto UP (11) o il tasto DOWN (10) per selezionare la melodia desiderata, da 1 a 3.
3. Per uscire dalla modalità Menu, premere il tasto TALK/CALL (5).

Impostazione della funzione Vibrazione (avviso di chiamata silenzioso)

La radio è disporre di un dispositivo di vibrazione, per ricevere un' avviso di chiamata silenzioso. Quando il dispositivo è attivato, la radio vibrerà durante la ricezione di un tono di chiamata, invece di emettere il tono musicale. Per attivare questa funzione, eseguire le seguenti operazioni :

1. Premere più volte il tasto MENU (9) finchè l' icona VIBRAZIONE (B) inizia a lampeggiare sul display LCD (12).
2. Premere il tasto UP (11) o il tasto DOWN (10) per selezionare **on** (funzione Vibrazione attivata) o **oF** (funzione Vibrazione disattivata).
3. Per uscire dalla modalità Menu, premere il tasto TALK/CALL (5).

Scansione Automatica dei Canali

Questa funzione permette la scansione automatica di tutti i canali. Per attivare la scansione e ricercare i canali in uso, eseguire le seguenti operazioni :

1. Premere il tasto SCAN/LOCK (3). La radio inizierà automaticamente la scansione dalla ricerca dei canali in uso. La scansione si arresta sul primo canale attivo trovato per circa 4 o 5 secondi, quindi ripartirà automaticamente. Se il tasto di trasmissione TALK/CALL (5) viene premuto su un canale attivo, la radio interromperà la scansione e la riprenderà dopo circa 14 secondi se nessuna trasmissione viene più ricevuta.
Premendo il tasto TALK/CALL (5) durante la scansione, la radio ritornerà sul canale originale.
2. Per uscire dalla modalità scansione, premere nuovamente il tasto SCAN/LOCK (3).

Blocco della Tastiera

Per evitare l' inserimento di comandi accidentali, premere il tasto SCAN/LOCK (3) per circa 3 secondi. L' icona LOCK (A) apparirà sul display LCD (12). Quando questa funzione è inserita, i tasti UP (11), DOWN (10), SCAN (3) e MENU (9) sono disattivati. Quando il blocco tastiera è attivo è possibile accendere o spegnere la radio, usare il tasto MON (4), trasmettere e ricevere e inviare un tono di chiamata. Per sbloccare la tastiera, premere nuovamente il tasto SCAN/LOCK (3) per circa 3 secondi.

Auto Squelch

La radio dispone di un sistema di silenziamento automatico (SQUELCH) che, in assenza di segnale, toglie automaticamente il rumore di fondo o i segnali troppo deboli, a causa delle condizioni ambientali o di portata. Premendo il tasto MON (4), lo Squelch viene disattivato ed è possibile ascoltare il rumore di fondo o i segnali più deboli. Per riattivare lo Squelch, premete nuovamente il tasto MON (4).

Automatic Power Save

La radio comprende un dispositivo automatico chiamato AUTOMATIC POWER SAVE, che permette di estendere in modo significativo la durata della batteria. Se la radio resta in Stand By (modo di attesa) per almeno 5 secondi, il circuito Power Save viene attivato. La radio può comunque sempre ricevere trasmissioni in questa modalità.

Specifiche Tecniche

Canali	8 Canali PMR + 69 Canali LPD con 38 codici CTCSS
Gamma di Frequenza	UHF 446.00625 - 446.09375 MHz (Banda PMR) UHF 433.07500 - 434.77500 MHz (Banda LPD)
Alimentazione	7.2V (batteria ricaricabile agli Ioni di Litio)
Potenza di uscita	0.5W ERP Alta / 0.01W ERP Bassa (Banda PMR) 0.01W ERP massimo (Banda LPD)
Dimensioni	A120 x L54 P14.6 mm (antenna inclusa)
Peso	gr. 76 (pacco batterie incluso)

Antenna Danneggiata

Non usare mai la radio se l' antenna è danneggiata. Se un' antenna danneggiata viene a contatto con la pelle, è possibile che accada una piccola bruciatura.

Informazioni Importanti sulle Batterie

Usare solo la batteria originale indicata nel manuale. L' uso di altri tipi di batteria può ridurre significativamente la durata di funzionamento o danneggiare la radio. Un pacco batteria può essere usato normalmente per circa 1000 cicli di carica/scarica. In caso di necessità, sostituire la batteria con una batteria di tipo originale.

Eliminate le batterie utilizzando gli appositi contenitori previsti nella vostra area.

La batterie può provocare perdite di liquido elettrolita, se inserita in modo errato, gettata nel fuoco o se caricata in modo errato o con caricatori diversi da quello originale. Eliminate immediatamente una batteria che ha perdite di liquido, che potrebbe creare bruciature della pelle o altri disturbi.

Accessori Opzionali

ESM-10	Microfono-Auricolare esterno con Clip per cravatta
ESM-20	Microfono flessibile-Auricolare esterno con Clip per cravatta
SM-007-B1	Microfono-Auricolare trasparente adatto per uso Sicurezza
TH-1000	Custodia in finta pelle con finestra trasparente in PVC

Informazioni Importanti

Importante !

Modifiche o interventi sulla radio possono farvi perdere la vostra autorizzazione ad utilizzare il prodotto. Questa ricetrasmittente è progettata per trasmettere un segnale regolato su specifiche frequenze assegnate. E' una violazione della legge modificare i settaggi o le regolazioni interne della radio per eccedere questi limiti. Qualsiasi regolazione o intervento tecnico sul prodotto deve essere effettuata unicamente da un tecnico qualificato o da un centro di servizio autorizzato.

Per la sicurezza :

Non aprite mai il contenitore della radio (tranne per sostituzione delle batterie).

Non cambiate o sostituite nulla all' interno della radio (tranne le batterie).

La vostra radio potrebbe occasionalmente causare delle interferenze radio o TV, anche se utilizzata correttamente. Per determinare se queste interferenze sono causate dalla vostra radio spegnete l' apparecchio. Se le interferenze sono cessate, la causa è la vostra radio. Per eliminare il problema, spostate la radio più lontana dal ricevitore radio o TV disturbato. Se le interferenze persistono, non usate la radio in tale luogo.

Luoghi pericolosi :

Non utilizzate la radio in luoghi pericolosi, esempio presenza di esplosivi o di dispositivi sensibili alle trasmissioni radio, all' interno di aeromobili.

Cura e Manutenzione :

Per pulire la radio, usare un panno soffice inumidito con l' acqua. Non usate assolutamente solventi o prodotti simili, in quanto gli stessi possono danneggiare il contenitore della radio, lo schermo LCD e penetrare all' interno della radio, causando danni al circuito e alle batterie. **Non immergete assolutamente la radio nell' acqua e non usatela in ambiente umido.** Se la radio si bagna accidentalmente, spegnetela e rimuovete la batteria immediatamente. Asciugate bene la batteria e l' interno della radio con un getto di aria tiepida, per rimuovere ogni residuo di acqua o umidità. Lasciate la radio aperta senza la batteria per almeno una notte in modo che la stessa si asciughi completamente.

Avviso :

Il contenuto di questo manuale è stato attentamente controllato, tuttavia il fabbricante non assume alcuna responsabilità per problemi derivanti da errori e omissioni nel testo. Nessuna parte di questo manuale può essere riprodotta o utilizzata in ogni modo, senza autorizzazione specifica del fabbricante.

Avvertenze Importanti !

 **QUESTO PRODOTTO E' DESTINATO AL MERCATO ITALIANO E PERTANTO L' IMPIEGO DELLO STESSO E' SOGGETTO ALLE NORME DI LEGGE IN VIGORE IN ITALIA.**

Nella maggior parte dei paesi CEE, l' impiego di ricetrasmittitori LPD e PMR 446 è libero, in conformità con le direttive CEE e l' utente non è soggetto ad alcuna tassa, concessione, autorizzazione o licenza d' uso. In alcuni paesi, tuttavia, la regolamentazione può essere differente; si consiglia pertanto di verificare la stessa presso il vostro rivenditore prima di utilizzare l' apparecchio.

Italiano

Avvertenza ! Utilizzo degli apparecchi Multi-Standard

Il prodotto è del tipo Multi-Standard (DUAL BAND) e può essere utilizzato in tutti i paesi europei ed in alcuni paesi extra europei, ma solamente nei canali ammessi secondo le normative di ciascun paese.

PMR446 (8 canali) : Austria, Belgio, Rep. Ceca, Danimarca, Finlandia, Francia, Germania, Grecia, Islanda, Irlanda, **Italia**, Lussemburgo, Norvegia, Olanda, Polonia, Portogallo, Spagna, Svezia, Svizzera, UK, Turchia

LPD433 (69 canali) : Austria, Francia, Germania, Grecia, Norvegia, Olanda, Russia, Svezia, **Italia (20 canali)**

BANDA PMR : L' uso di questo apparecchio può essere soggetto a restrizioni nazionali (per l' uso in Italia è richiesta l' autorizzazione generale come da D.I. 259 del 01-08-03 art. 99 comma 3; All. 25 art. 36). E' sufficiente presentare una semplice dichiarazione e versare un modesto canone annuo (da 12 euro indipendente dal numero degli apparati).

Avviso agli utenti

Ai sensi dell'art. 13 del decreto legislativo 25 luglio 2005, n. 15"Attuazione delle Direttive 2002/95/CE, 2002/96/CE e 2003/108/CE, relative alla riduzione dell'uso di sostanze pericolose nelle apparecchiature elettriche ed elettroniche, nonché allo smaltimento dei rifiuti".



Il simbolo del cassonetto barrato riportato sull'apparecchiatura indica che il prodotto alla fine della propria vita utile deve essere raccolto separatamente dagli altri rifiuti.

L'utente dovrà, pertanto, conferire l'apparecchiatura giunta a fine vita agli idonei centri di raccolta differenziata dei rifiuti elettronici ed elettrotecnici, oppure riconsegnarla al rivenditore al momento dell'acquisto di una nuova apparecchiatura di tipo equivalente, in ragione di uno a uno.

L'adeguata raccolta differenziata per l'avvio successivo dell'apparecchiatura dismessa al riciclaggio, al trattamento e allo smaltimento ambientalmente compatibile contribuisce ad evitare possibili effetti negativi sull'ambiente e sulla salute e favorisce il riciclo dei materiali di cui è composta l'apparecchiatura.

Lo smaltimento abusivo del prodotto da parte dell'utente comporta l'applicazione delle sanzioni amministrative di cui al dlgs. n. 22/1997" (articolo 50 e seguenti del dlgs. n. 22/1997).

Garanzia Limitata

Questo prodotto è garantito contro difetti nei materiali e nella lavorazione, in condizioni di uso e servizio normali, per un periodo di un anno, sempre che il prodotto sia ritornato senza spese al rivenditore presso cui è stato acquistato, accompagnato dallo scontrino fiscale o altro documento di acquisto, comprovante la data effettiva di acquisto. Questa garanzia non copre difetti o danni derivanti da abuso, uso improprio, modifiche non autorizzate, perdita di liquidi delle batterie, utilizzo in ambiente inadatto o normale deperimento d' uso.

Tutti i valori presenti nel manuale sono misurati in condizioni ottimali di utilizzo. Tutti i disegni, i testi e le caratteristiche tecniche non sono impegnativi e possono essere variati in qualunque momento.

DICHIARAZIONE DI CONFORMITA'

Con la seguente dichiarazione si attesta che i prodotti :

INTEK SL-02

soddisfano tutte le norme tecniche applicabili ai suddetti prodotti secondo le Direttive Comunitarie 2006/95/EC, 2004/108/EC, 99/5/EC.

Tipo di prodotto : Ricetrasmittitore LPD / PMR 446

Dettagli degli standard applicati : EN 300 220-1-2-3, EN 301 489-1-3, EN 60065
EN 300 296-2, EN 301 489-5, EN 60065

Produttore : **INTEK S.R.L.**
Via G. Marconi, 16
20090 Segrate (Mi)
Tel. 02-26950451 / Fax 02-26952185
E-Mail intek.com@intek-com.it

Punto di contatto : Armando Zanni
Tel. 02-26950451 / Fax 02-26952185
E-Mail infointek@tin.it

Segrate, 02/07/2009

dr. Vittorio Zanetti (amministratore unico)



INTEK® SL-02

N. di serie : _____

Data: _____

Timbro e firma del rivenditore



Prodotto importato e distribuito da

INTEK S.R.L.

Via G. Marconi, 16 - 20090 Segrate (MI) - Tel. 02-26950451 - Fax. 02-26952185
www.intek-com.it / e-mail : intek.com@intek-com.it

PRINTED IN CHINA